

Supply -

Voltage : 12 to 35 VDC

Active / Normal mode -

Average current * : 29 mA
 Peak current * : 56 mA
 Average power * : 0.35 W
 Peak power * : 0.67 W

Standby mode -

Mode activation range ** : 13 to 17 VDC ‡
 Average current * : ~8 mA
 Average power * : ~96 mW

Shutdown mode -

Mode activation range ** : 10.5 to 5 VDC ‡
 Average current * : ~3 mA
 Average power * : ~36 mW

Note-

* Rated @ 12 VDC

** Applies only if mode is enabled

‡ Voltages double for 24V system

ZigZag ultrasound -

Frequency range : 20 to 60 kHz

Sound output power † : 80 to 110 dB

Note-

† Within IRPA safety guidelines

RGB-LED -

Active mode colours : Green / Blue combinations

Pulsed power : 0.45 W

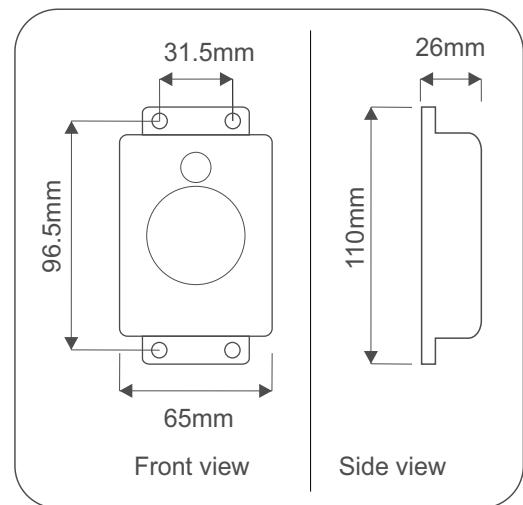
Fuse -

Type : Mini blade
 Housing : Waterproof
 Rating : 1 A

Weight -

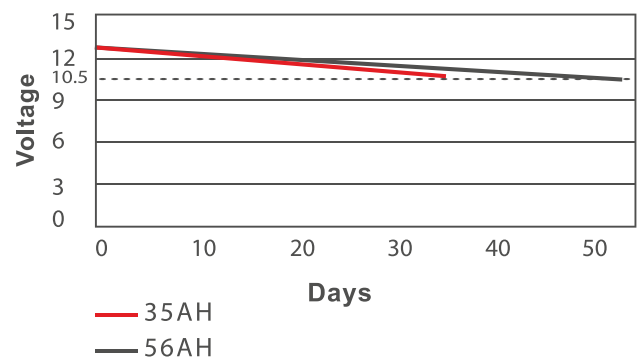
Unit weight : 131 gm
 Packaged weight : 232 gm

Dimensions -



Length : 110 mm
 Width : 65 mm
 Height : 26 mm

Battery consumption graph -



Note-

The battery discharge curve does not include consumption of other equipment / devices like security systems which are also continuously powered by the car battery.

Typical self-discharge rate of 4% per week is considered.